

S-Band Hub-mount SSPA

80W to 1000W
AWMA-S™ series



Features

- Full range of output power up to 1000W in a single package
- High linearity
- Unconditionally stable at any load VSWR
- Redundant ready with no external controller
- Full M&C capability via RS485 or Ethernet port
- Infinite VSWR protection with automatic high reflected power shutdown
- Forward and Reflected power monitoring
- Output Sample Port
- Redundant Systems shipped fully tested, assembled and tested
- Weatherproof construction

Overview

Advantech Wireless S-Band line of Amplifiers is intended for satellite up-link applications. The design of these units is based on Advantech Wireless proven techniques resulting in high linearity and operating efficiency. Conservative thermal design contributes to the high MTBF for these units. Full monitor and control is provided via the serial or Ethernet ports. Special features such as automatic over-temperature shutdown and high-reflected power protection contribute to a trouble free operation.

The AWMA-S series is available in output power from 80W to 1000W. Higher power operation may be provided using external phase combining techniques offering an output power up to 1500W. Please contact factory for more details.

The full set of accessories made available will facilitate the integration of these units in any application.

Table A

Band*	RF Band (GHz)	Output Power (W)
S	2.025 - 2.120	80 - 1000

*Other frequency sub-bands are available. Please consult factory.

Options

- 1:1 or 1:2 Redundant configuration
- Phase combined systems for higher power

Accessories

- Mounting kits
- Remote M&C panel
- Handheld terminal

Redundancy

Advantech Wireless S-Band line of Amplifiers may be configured to operate in 1:1 or 1:2 redundancy mode. No extra controller is required for the redundancy operation as the built-in controller in each unit provides this function. For 1:1 redundancy operation, in addition to the two units (operating and standby) a special redundancy kit is required. For 1:2 redundancy operation another redundancy kit is needed in addition to the three units. The kits include the switches, terminations, splitter, interconnecting cable assemblies and mounting frames.

All redundancy systems are delivered fully assembled, integrated, and tested.

S-Band Hub-mount SSPA

Technical Specifications

Table B

SSPA Line								
Rated Power W	Psat dBm	P1dB dBm	Gain (dB) (minimum)	Power consumption W (nominal)	Weight	Dimensions	Voltage	Outline
80W	+49	+48	+60	350W	48.5 lbs (22 kg)	18.5"x10"x9" 470x254x229 mm	110/220 Auto ranging	1
100W	+50	+49	+60	400W				
125W	+51	+50	+60	500W				
150W	+52	+51	+60	600W				
200W	+53	+52	+60	800W				
250W	+54	+53	+60	850W				
300W	+55	+54	+65	1400W	98 lbs (44.5 kg)	30"x16"x11" 762x406x280 mm	220V	2
400W	+56	+55	+65	1500W				
500W	+57	+56	+65	1600W				
600W	+58	+57	+65	2500W	176 lbs (80 kg)	39"x18.5"x12.1" 990x470x307 mm	220V	3
700W	+58.5	+57.5	+70	2700W				
800W	+59	+58	+70	3000W				
1000W	+60	+59	+70	3200W				

General Specifications

Operating Frequency	2.025 – 2.120 GHz		
Output Power	See table B		
Gain	See table B		
Gain adjustment range	20 dB in 0.1 dB steps		
Gain flatness	1.5 dB p-p max over full band 0.5 dB p-p over 10 MHz at 25°C		
Gain slope	0.06 dB/ MHz max.		
Gain variation over temperature	± 1.5 dB max		
Input Impedance and VSWR	50 Ω	1.3:1	
Output Impedance/VSWR	50 Ω	1.3:1	
Noise power density	-80 dBm/Hz in Transmit Band		
Spurious at P1dB	-60 dBc max		
Harmonics	-60 dBc at P1dB		
AM/PM conversion	2.5°/dB at P1dB		
Third order intermod (2- tones)	-24 dBc at 3 dB total back-off from rated P1dB		
Group delay	Linear	0.02 nsec/MHz max	
	Parabolic	0.003 nsec/MHz ² max	
	Ripple	1 nsec p-p max	
Residual AM Noise	0 – 10 kHz	-45 dBc	
	10 kHz – 500 kHz	-20 (1.25 + log F) dBc F = Frequency in kHz	
	500 kHz – 1 MHz	-80 dBc	
Weight & Dimensions	See table B		
Input voltage	See table B		
Interfaces	Input (S-Band)	N type female	
	Output Sample Port	N type female	
	RF output	N type female	
	AC line	MS3102 type	
	RS232 serial port	MS3112E10-6P	
	RS485/Ethernet	MS3112 type	
Environmental	Temperature	Operating	-30°C to +55 °C
		Option 1	-40°C to +55 °C
	Option 2	-50°C to +50 °C	
Humidity	Storage	-55°C to +85 °C	
Altitude	100% condensing 10,000' AMSL, derated by 2 °C/1000' from AMSL		

NORTH AMERICA

USA
info.usa@advantechwireless.com

CANADA
Info.canada@advantechwireless.com

EUROPE

UNITED KINGDOM
info.uk@advantechwireless.com

RUSSIA & CIS
info.russia@advantechwireless.com

SOUTH AMERICA

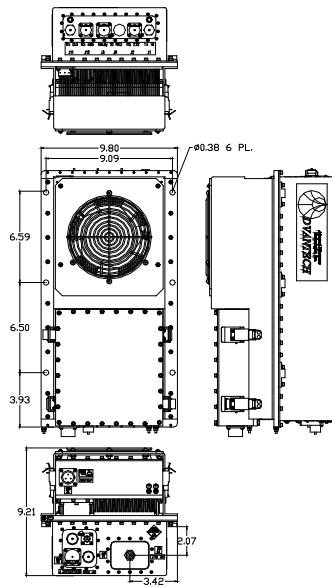
info.latam@advantechwireless.com

BRAZIL
info.brazil@advantechwireless.com

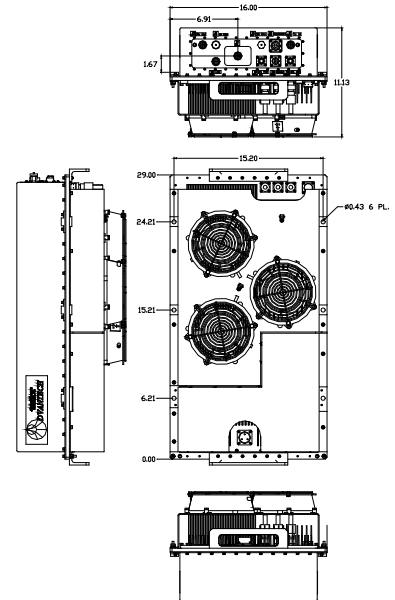
ASIA

info.asia@advantechwireless.com

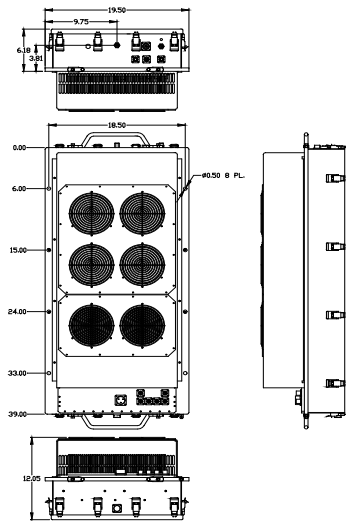
INDIA
info.india@advantechwireless.com



Outline 1



Outline 2



Outline 3

Ref.: PB-AWMA-S-80-1000-18226

NORTH AMERICA

USA
info.usa@advantechwireless.com

CANADA
Info.canada@advantechwireless.com

EUROPE

UNITED KINGDOM
info.uk@advantechwireless.com

RUSSIA & CIS
info.russia@advantechwireless.com

SOUTH AMERICA

info.latam@advantechwireless.com

BRAZIL
info.brazil@advantechwireless.com

ASIA

info.asia@advantechwireless.com

INDIA
info.india@advantechwireless.com