

400W/500W/600W C-Band BUC/SSPB/SSPA

Second Generation GaN Technology

SapphireBlu™

SSPA	AWMAg-C	TT series
SSPB (BUC)	SSPBMg-C	TT series

Features

- Full range of output power of 400W, 500W or 600W in a compact single package
- High linearity
- Redundant ready with no external controller
- Full M&C capability via RS485, Ethernet port
- Built-in Forward precision powering metering
- Output RF calibrated Sample Port
- Redundant Systems shipped fully tested
- Infinite VSWR protection with automatic high reflected power shutdown
- Detachable power supply module
- Weatherproof construction
- CE marking



Options

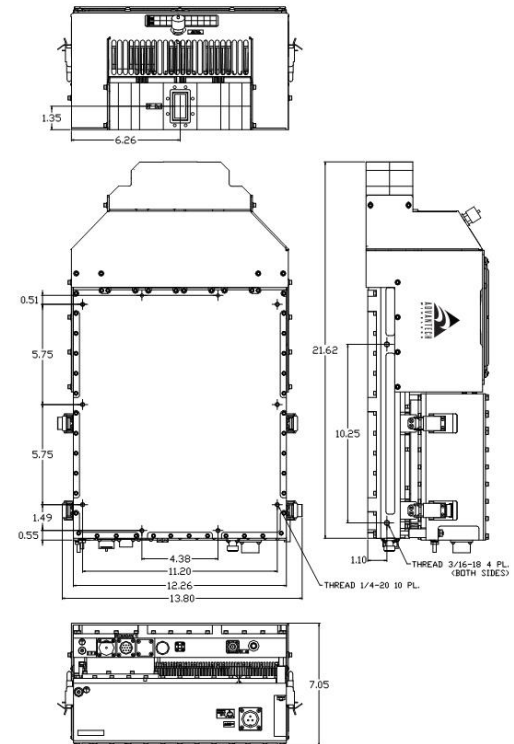
- 1:1 or 1:2 Redundant configuration
- L-Band input (SSPB/BUC operation)
- Internal/External reference with auto-sensing

Accessories

- Mounting kits
- External Harmonics reject filter (-65dBc)
- Remote M&C panel with optional SNMP
- Flexible and rigid waveguides
- Mounting frames
- High power terminations

Overview

The new Super Compact TT-Series C-Band SSPA/BUCs provide highest power density in the industry. Combined with the traditional Advantech Wireless' features, these new series of BUCs provide the ultimate in performance, reliability, and convenience.



400W/500W/600W C-Band BUC/SSPB/SSPA Second Generation GaN Technology

Technical Specifications			
	400W	500W	600W
P _{SAT} (typ.)	+56 dBm (nominal)	+57 dBm (nominal)	+57.8 dBm (nominal)
Linear Output power, P _{LINEAR} *	+53 dBm (Min)	+54 dBm (Min)	+54.8 dBm (Min)
	P _{LINEAR} is the power at which the IMD=-25 dBc for two CW signals 5 MHz apart and the spectral regrowth is <-30 dBc @ 1.0 x symbol rate for a single QPSK/OQPSK/8PSK signal		
Operating Frequency	5.85 – 6.425 GHz / Optional 5.85 – 6.725 GHz		
L-Band input (BUC)	950 – 1525 MHz / Optional 950 – 1825 MHz		
Gain	SSPA 67dB min	SSPB (BUC) 75dB min	77dB min
Gain adjustment range	20 dB in 0.1 dB steps		
Gain flatness over full band	SSPA 2dB p-p max SSPB (BUC) 4 dB p-p max		
Gain slope over 40 MHz	± 0.3 dB max SSPB (BUC) ± 0.5 dB max		
Gain variation over temperature	± 1.5 dB max		
Input Impedance and VSWR	50 Ω SSPA 1.3:1	SSPB (BUC) 1.4:1	
Output VSWR	1.3:1		
Noise power density	-70 dBm/Hz in Transmit Band, -135 dBm/Hz in Receive Band (3.4GHz – 4.2 GHz)		
Spurious at P _{LINEAR}	SSPA: -65 dBc max SSPB (BUC): -55 dBc max		
Harmonics	- 35 dBc at P _{LINEAR}		
AM/PM conversion	1.0°/dB at P _{LINEAR}		
Third order intermod (two tones)	-25 dBc two signal 5 MHz apart at P _{LINEAR} relative to total power		
Spectral Regrowth	-30 dBc at P _{LINEAR} (for QPSK at 1.5 x symbol rate and OQPSK at 1,0 x symbol rate)		
Group delay	Ripple 1 nsec p-p max over any 40 MHz band		
Residual AM Noise	0 – 10 kHz -45 dBc 10 kHz – 500 kHz -20 (1.25 + log F) dBc 500 kHz – 1 MHz -80 dBc	F = Frequency in kHz	
SSPB (BUC)			
Local Oscillator freq.	4.9 GHz		
Internal Reference frequency (optional)	10 MHz	Aging/day ±2 × 10 ⁻¹⁰ Aging/year ±5 × 10 ⁻⁸ Stability ±2 × 10 ⁻⁸ over temp range	
Phase Noise	-53 dBc/Hz at 10Hz -73 dBc/Hz at 1kHz	-63 dBc/Hz at 100Hz -93 dBc/Hz at 100 kHz	-83 dBc/Hz at 10 kHz
External Reference Frequency phase noise (max)	10 MHz -120 dBc/Hz at 10Hz -135 dBc/Hz at 100Hz	-150 dBc/Hz at 1000Hz -155 dBc/Hz at 10 kHz	-160 dBc/Hz at 100 kHz
Weight & Dimensions			
Dimensions (L x W x H)	21.6" x 12.26" x 7.05" (549x311x179 mm)		
Weight	57.3 lbs. (26 kg)		
AC input voltage	220V AC ± 20% (47 – 63 Hz) Power Factor 0.95 min.		
Power consumption (nominal)	1500W at P _{LINEAR} 1800W at P _{SAT}	1900W at P _{LINEAR} 2400W at P _{SAT}	2100W at P _{LINEAR} 2700W at P _{SAT}
Interfaces	Input (RF or L-Band): N type female AC line: MS3102 type Output Sample Port: N type female RF output: CPR137 RS485/Ethernet: MS3112 type		
Environmental	Temperature Operating -30°C to +55 °C Optional -40°C to +55 °C Storage -55°C to +85 °C Humidity 100% condensing Altitude 10,000' AMSL, de-rated by 2 °C/1000' from AMSL		

*Linearizer Required

Ref.: PB-SSPBMg-2G-C-400W-600W-18318

NORTH AMERICA

USA
info.usa@advantechwireless.com

CANADA
Info.canada@advantechwireless.com

EUROPE

UNITED KINGDOM
info.uk@advantechwireless.com

RUSSIA & CIS
info.russia@advantechwireless.com

SOUTH AMERICA

info.latam@advantechwireless.com

BRAZIL
info.brazil@advantechwireless.com

ASIA

info.asia@advantechwireless.com

INDIA
info.india@advantechwireless.com